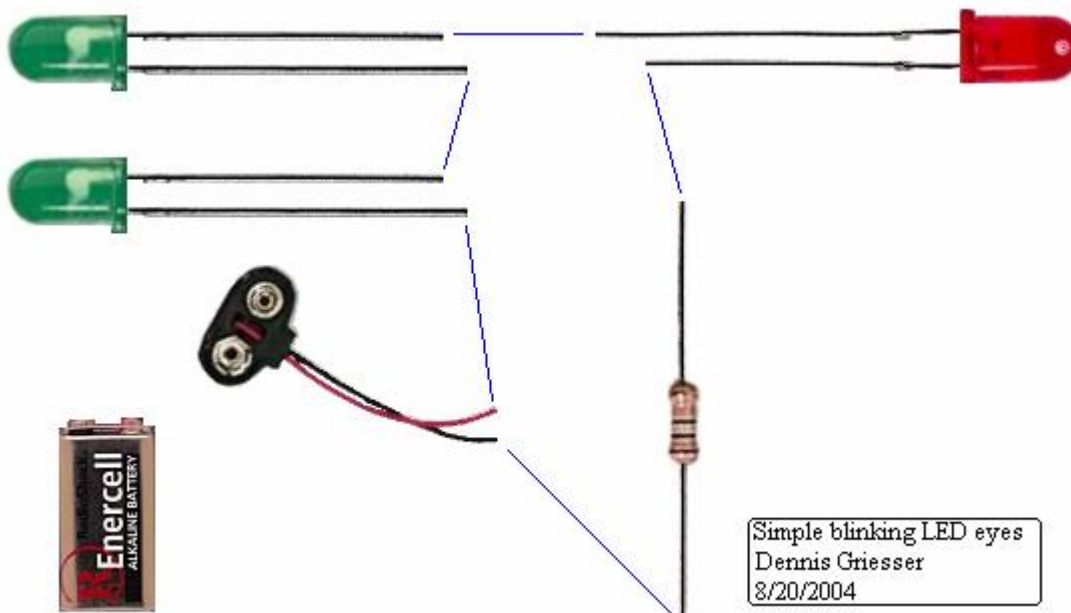


Year 10 Advanced Science Group (Electronics T32k7)

Electronic Circuit pictures sheet.

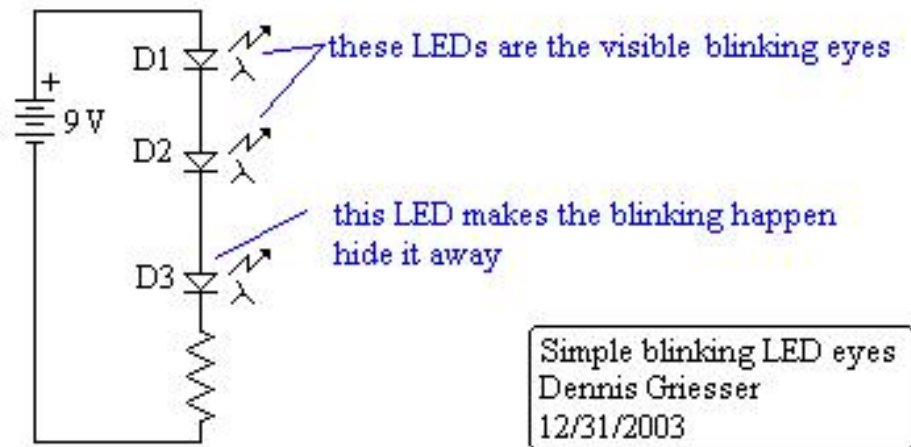
Study each of the following pictures carefully. Identify the components shown and make a list for each picture. Find the circuit symbol for each part and construct a correct circuit diagram for each. One completed example has been included.

Sample Diagram with answer



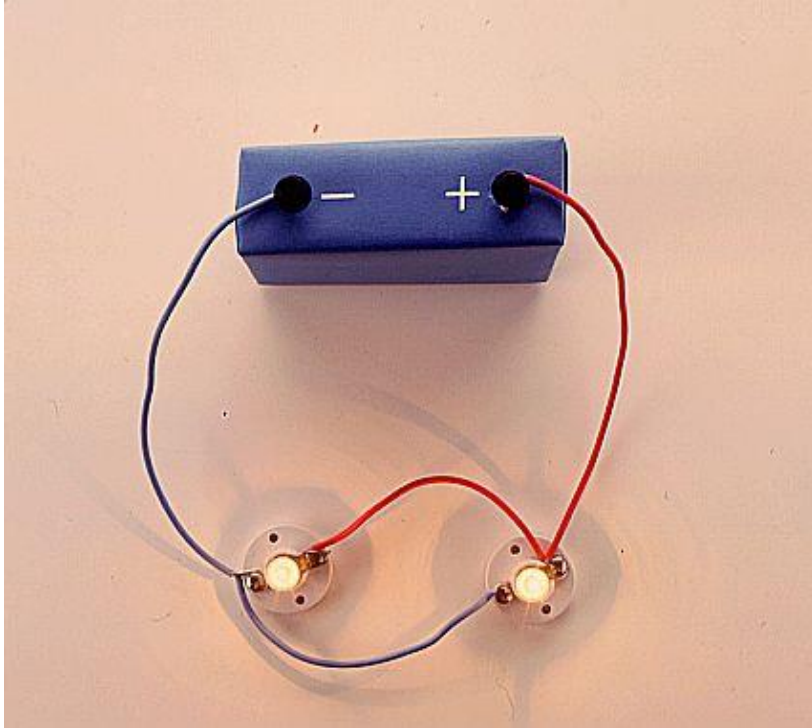
This diagram has 2 green LEDs 1 red LED a resistor and a 9V battery

Its circuit diagram will be

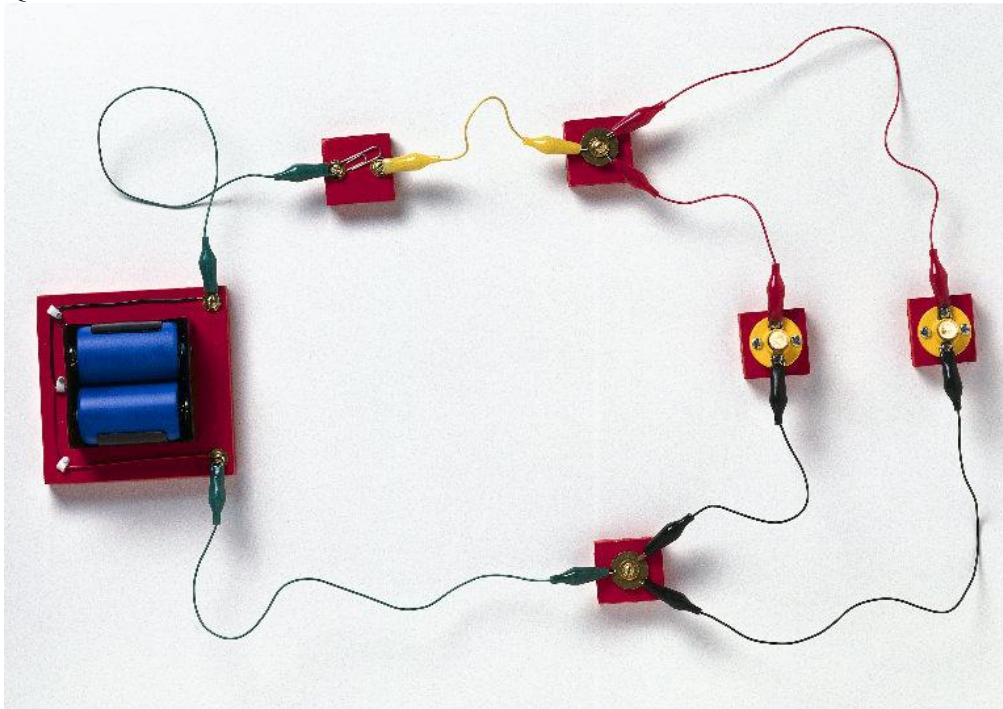


Now try these yourself (list the parts, and draw a circuit diagram, the positive battery terminal is shown top right the negative bottom right)

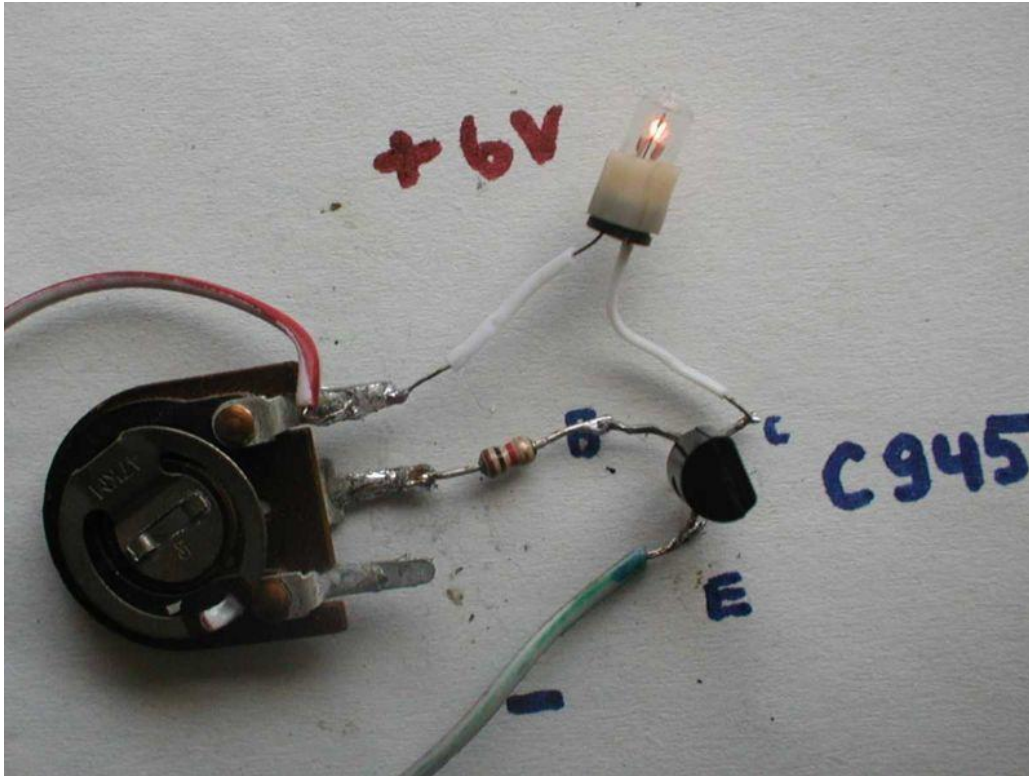
Q2



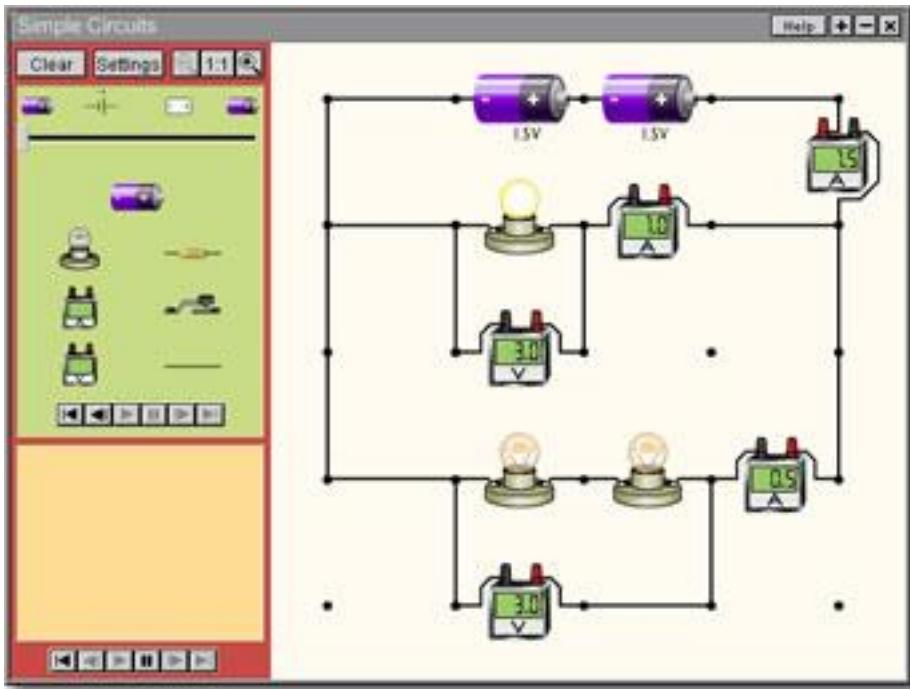
Q3



Q4



This show part of a circuit with a variable resistor (left) and a transistor on the right  
Q5 The diagram below shows 5 ammeters in circuit



Q6 A big challenge to finish! Here is a picture of the circuit shown below. Circle and number each part on both.

